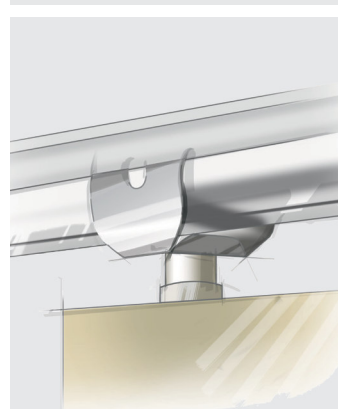
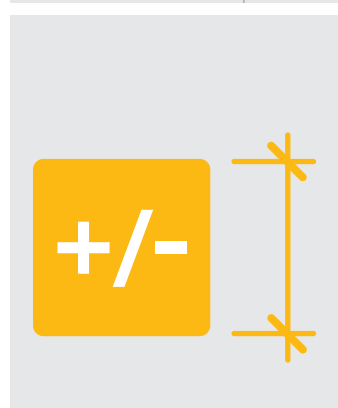
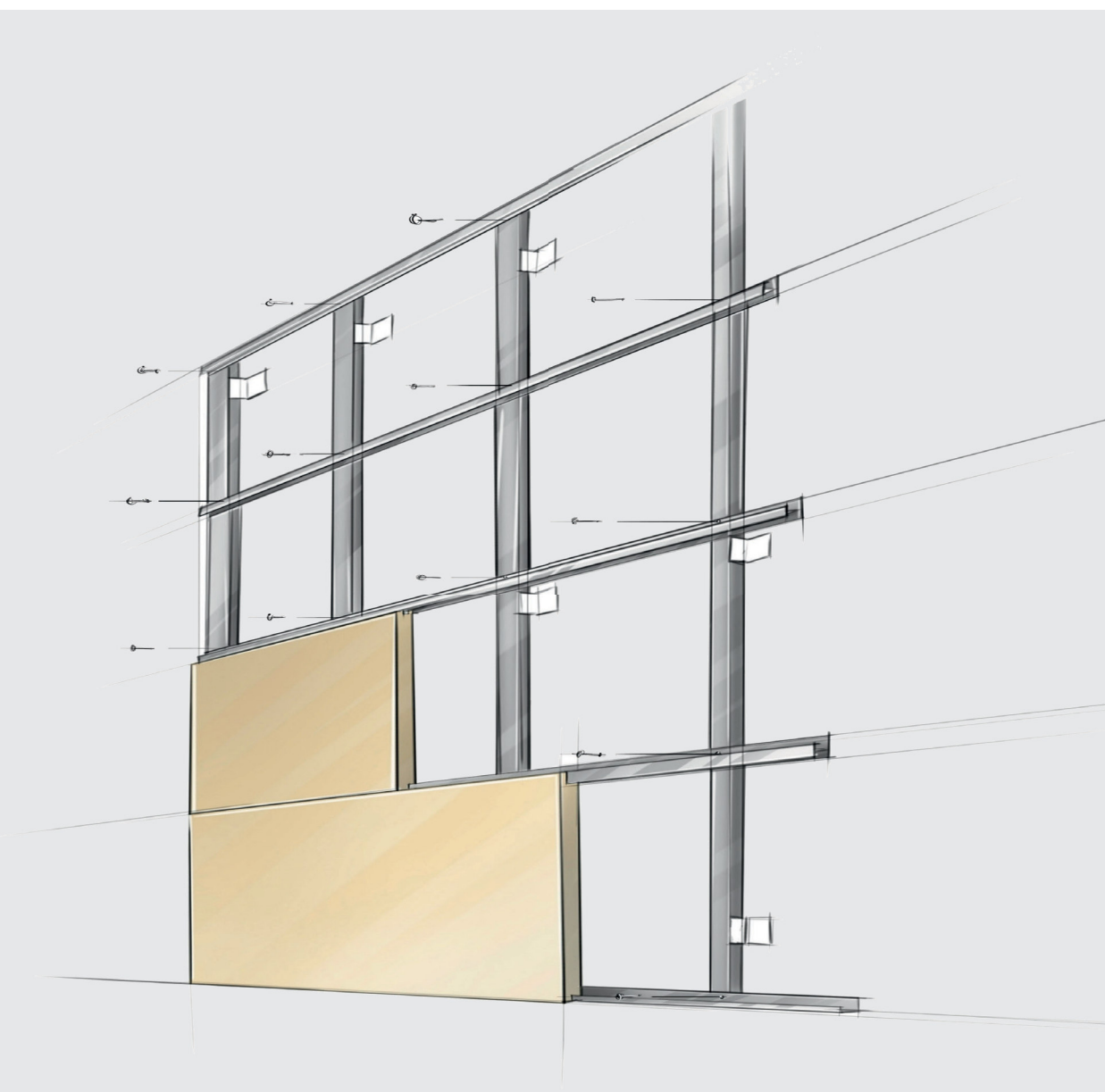




**Heradesign®**

Product data

HERADESIGN® Screws



# Product data

## HERADESIGN® Screws

### Description of Product

Rust-protected, universal dry-wall screws with countersunk head for fastening HERADESIGN® acoustic panels to wood and metal sub-constructions.  
Version with partial thread and Torx T20 - suitable for wall or profile thicknesses up to 0.6 mm.

**Maximum spacing:** 600 resp. 300 mm  
625 resp. 312 mm

### Form of delivery

In cartons. Only supplied in complete package units.



Length / Ø [mm]	Surface / colour	Wood			Metal CD profile			Packaging unit [Pcs./carton]
		for panel thicknesses [mm]			for panel thicknesses [mm]			
		15	25	35	15	25	35	
35 / 4,5	Galvanised	●			●			200
35 c <sup>1)</sup> / 4,5	White, beige	●			●			200
50 / 4,5	Galvanised		●			●	●	200
50 c <sup>1)</sup> / 4,5	White, beige		●			●	●	200
60 / 4,5	Galvanised			●				200
60 c <sup>1)</sup> / 4,5	White, beige			●				200

<sup>1)</sup> Screws painted white (similar to RAL 9010) or beige (Natural tone 13)

<sup>2)</sup> Usage class 1 and 2 as per EN 1995-1-1:2010-12, galvanised, yellow chromated, A2L as per DIN EN ISO 4042

<sup>3)</sup> Specially hardened screws (500 HV 0.3)

<sup>4)</sup> optimised tip form for use with metal profiles

### Note:

Not suitable for indoor swimming pools and outdoor applications. Please contact the screw supplier for screws with suitable corrosion protection for use in indoor swimming pools and roofed outdoor applications etc.

### Corrosion protection

Please contact your screw supplier or screw manufacturer for suitable corrosion protection of screws for applications in indoor swimming pools, underground car parks, roofed outdoor applications or other special uses.



## Service, Support, Logistics – Centre of expertise in Europe and on-site sales networks worldwide



**Knauf AMF GmbH & Co. KG**  
Elsenthal 15, 94481 Grafenau  
Germany

Tel.: +49 8552 422-0

Fax: +49 8552 422-32

[info@knaufamf.de](mailto:info@knaufamf.de)

[www.amfceilings.com](http://www.amfceilings.com)

The acoustic ceiling specialist Knauf AMF, with its global sales and service network, offers on-site, solution orientated and timely advice for architects, specialist contractors, distributors and developers.

**With us, you are always a ceiling solution ahead!**

No responsibility or liability is accepted for the accuracy of the information provided.  
Subject to change without prior notice.

12/2016

**Knauf AMF Deckensysteme GmbH**  
9702 Ferndorf 29  
Austria  
Tel.: +43 4245 2001-0  
[office@heradesign.com](mailto:office@heradesign.com)  
[www.heradesign.com](http://www.heradesign.com)

**Knauf AMF GmbH & Co. KG**  
Metallstraße 1, 41751 Viersen  
Germany  
Tel.: +49 2162 957-0  
[info-de@knaufamf.eu](mailto:info-de@knaufamf.eu)

**Knauf AMF Plafonds et Systèmes**  
9, rue des Livraindières, 28100 Dreux  
France  
Tel.: +33 237 3850-50  
[info@knaufamf.fr](mailto:info@knaufamf.fr)

**Knauf AMF Ceilings Ltd.**  
1 Swan Road, South West Industrial Estate,  
Peterlee, Co. Durham, SR8 2HS  
Great Britain  
Tel.: +44 191 5188600  
[info@knaufamf.co.uk](mailto:info@knaufamf.co.uk)